

P/N KE-FCWP FLOW CONTROLLED WATER PUMP ASSEMBLY

THIS IS NOT A SELF PRIMING WATER PUMP. THE SELF PRIMING VERSION OF THIS PUMP IS P/N KE-FCSPWP.



**“P” OIL IN -
7 TO 30 GPM
2500 PSI MAX.**

#12 ORB “IN” AND “OUT” HYDRAULIC PORTS



1-1/4” NPT WATER
PUMP OUTLET

1-1/2” NPT WATER PUMP INLET

THIS PUMP ASSEMBLY INCORPORATES A FLOW CONTROL VALVE THAT LIMITS THE FLOW TO THE MOTOR TO 8 GPM NO MATTER HOW MUCH FLOW IS PUT TO THE “IN” PORT. ALL FLOW ABOVE 8 GPM IS BYPASSED DIRECTLY OUT THE RETURN PORT



MAXIMUM RETURN LINE
BACK PRESSURE PERMITTED
IS 250 PS.I. OR MOTOR SHAFT
SEAL FAILURE WILL RESULT.



Hydraulic, Mechanical, Drivetrain And Electro-hydraulic
Troubleshooting, Testing, Repair And Sales

www.ketechanical.com

Ph. 618-932-2245 Fax 618-937-3200

K&E TECHNICAL, INC.
1432 Highway 37 S.
P.O. Box 465
West Frankfort, IL 62896



Hydraulic, Mechanical, Drivetrain And Electro-hydraulic
Troubleshooting, Testing, Repair And Sales

www.ketechnical.com

Ph. 618-932-2245 Fax 618-937-3200

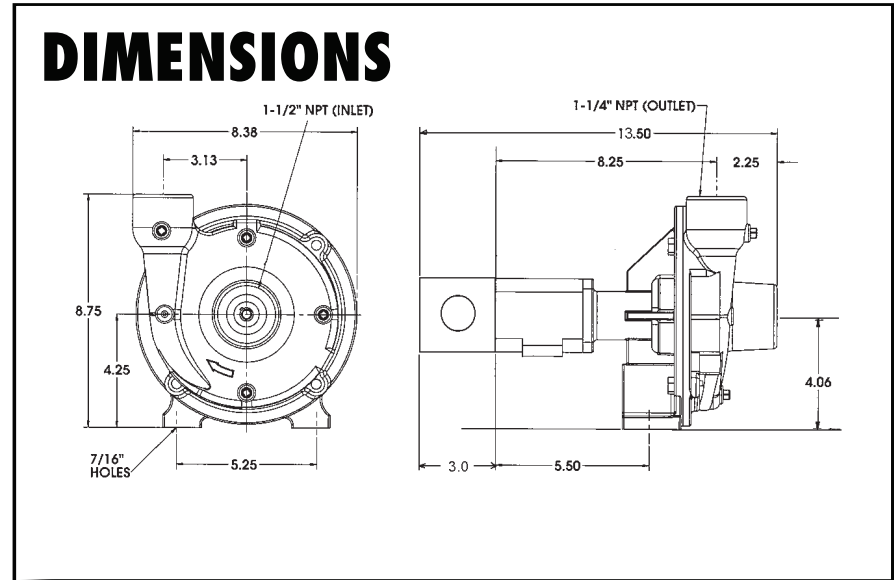
K&E TECHNICAL, INC.

1432 Highway 37 S.

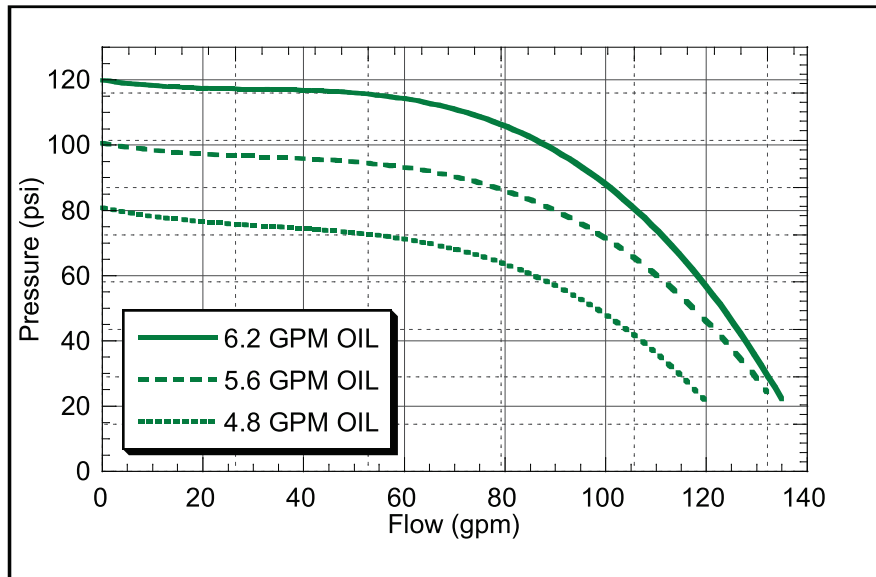
P.O. Box 465

West Frankfort, IL 62896

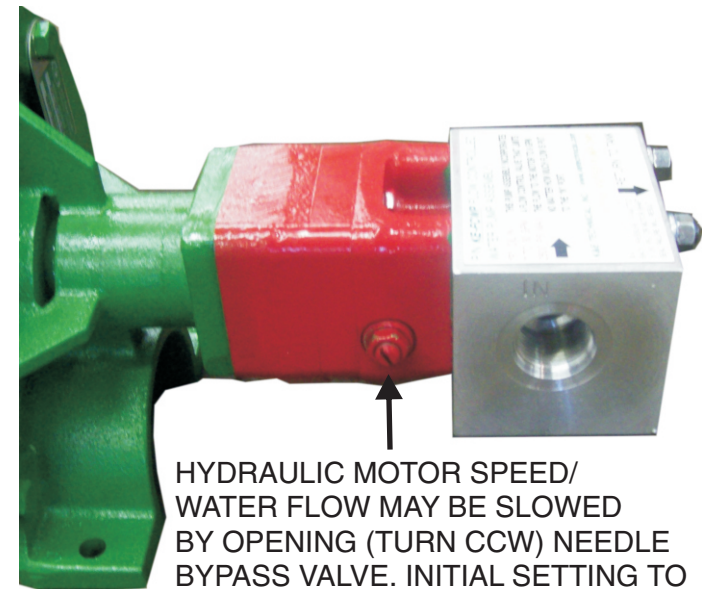
High Performance Hydraulic Motor Driven Centrifugal Pump WITH FLOW CONTROL VALVE



PERFORMANCE CHART

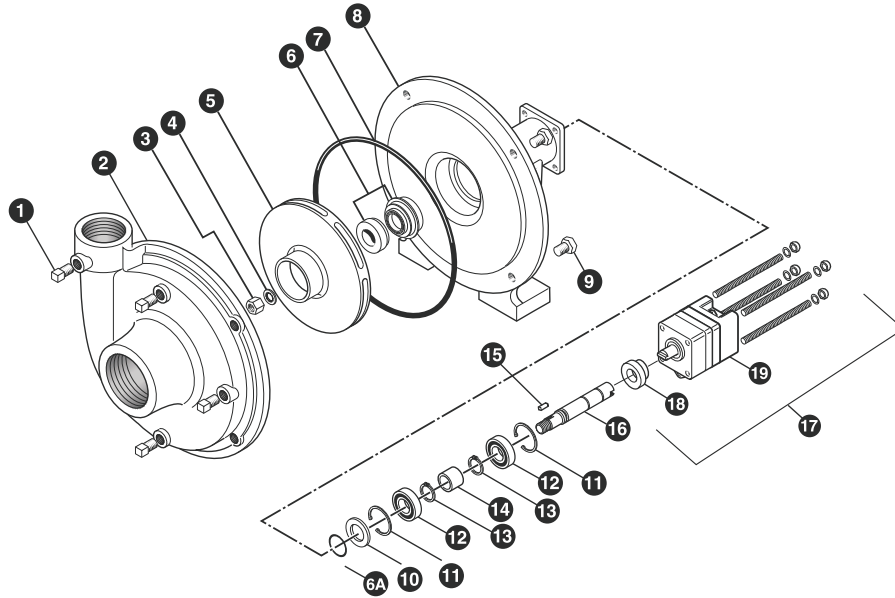


FILENAME: KEFCWP WATER PUMP INFORMATION.PDF



HYDRAULIC MOTOR SPEED/
WATER FLOW MAY BE SLOWED
BY OPENING (TURN CCW) NEEDLE
BYPASS VALVE. INITIAL SETTING TO
BE BACKED OUT 1/4 TURN FROM CLOSED.

TO PURCHASE INDIVIDUAL PARTS ON THIS PAGE PLEASE SPECIFY THAT THEY ARE FOR A KE-FCWP WATER PUMP



REF. #	PART NUMBER	EDP #	DESCRIPTION	REQ.
1	BAC-53	41110	Pipe plug	4
1	41120	41120	Pipe plug, stainless steel (optional)	4
2	BAC-12-150	40255	Volute, 1-1/2" x 1-1/4"	1
3	BAC-23-A	40391	Nut, 3/8" NF, cad plated	1
3	BAC-23-A-SS	40392	Nut, 3/8" NF, stainless steel (optional)	1
4①②	BAC-24-HYD-SS	40400	Washer, 3/8" star, stainless steel	1
5	BAC-26-150-P	40446	Impeller, Valox, keyway	1
5	BAC-26-150-CI	40445	Impeller, cast iron, keyway (optional)	1
6①	BAC-7V	40151	Seal, carbon/ceramic/Viton (includes 40160 O-Ring)	1
6②	BAC-7SC	40152	Seal, silicon carbide/Viton (includes 40160 O-Ring) (optional)	1
6A①②	40160	40160	O-ring, shaft seal	1
7①②	BAC-4-150	40015	O-ring, body seal	1
8	BAC-14-150-HYD	40305	Mounting frame (for 200 Series hydraulic motor)	1
9	40950	40950	Cap screw, 3/8" NC x 3/4" hex head	4
9	40930	40930	Cap screw, 3/8" NC x 3/4" hex head, stainless steel (optional)	4
10	BAC-54	41130	Slinger	1
11	BAC-33	40810	Snap ring, internal, BAC-14 mounting frame	2
12	BAC-37	40870	Ball Bearing, sealed, BAC-6 shaft	2
13	BAC-32	40790	Snap ring, external, BAC-6 shaft	2
14	BAC-32-S	40795	Spacer for BAC-6 shaft	1
15	BACH-25	40420	Key, 1/8" x 1/8" x 1/2"	1
16	BAC-6-HYD-SS	40061	Shaft, 5/8" diameter, keyway and tang slot, stainless steel	1
17	BAC-75-HYD-206-KE		HYDRAULIC MOTOR - MODIFIED FOR FLOW CONTROL	1
18	S200	40161	Seal support spacer for 200 Series HYD motor	1
				1
①	RK-FMC-150	52710	Repair kit for FMC-150 series pump	-
②	RK-FMCSC-150	52711	Repair kit for FMC-150 series with silicon carbide shaft seal	-
#	RK-BAC-75-HYD-L	41374	Repair kit for 200 Series motor with high pressure lip seal	-



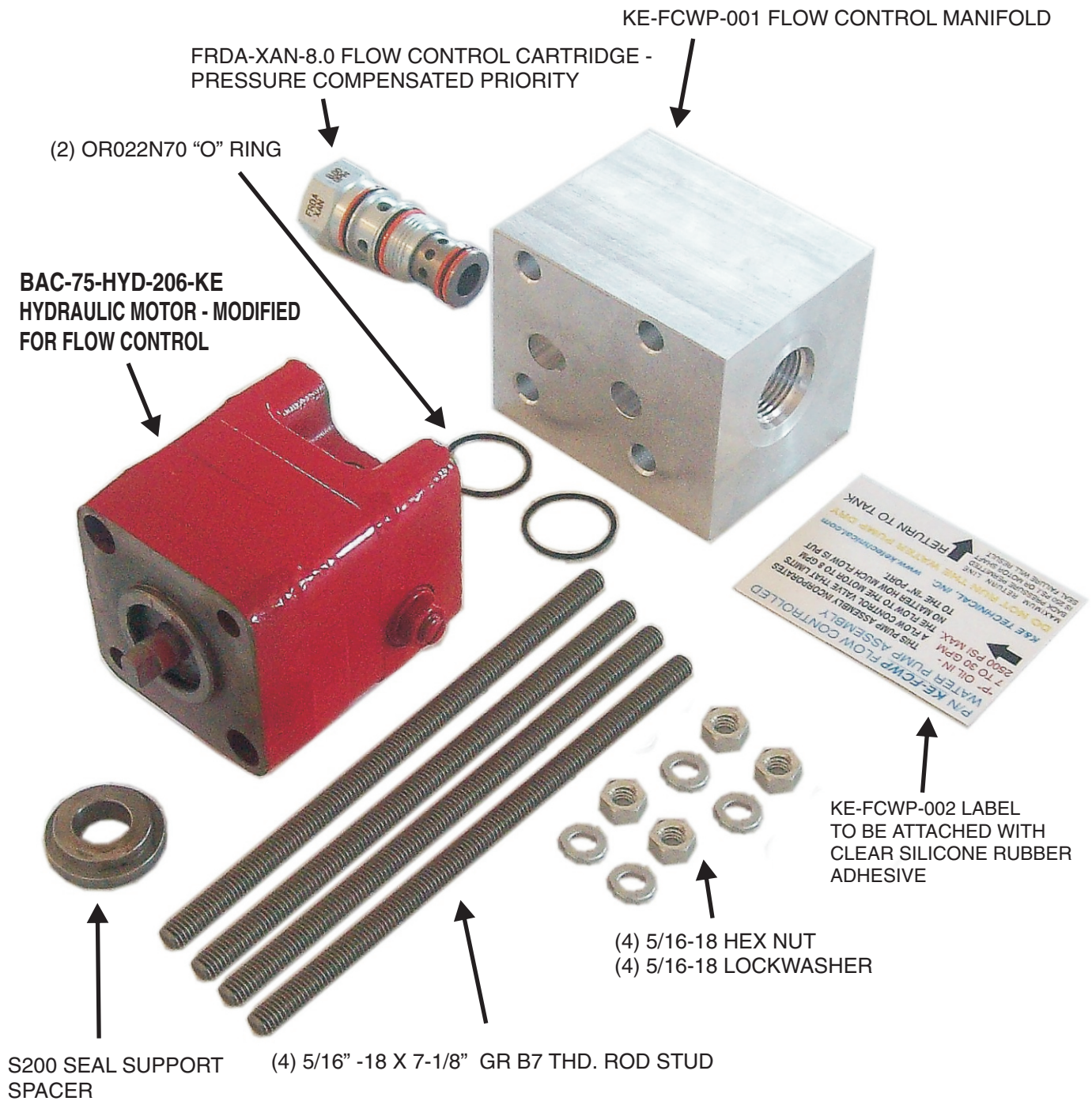
Hydraulic, Mechanical, Drivetrain And Electro-hydraulic
Troubleshooting, Testing, Repair And Sales

www.ketechinc.com

Ph. 618-932-2245 Fax 618-937-3200

K&E TECHNICAL, INC.
1432 Highway 37 S.
P.O. Box 465
West Frankfort, IL 62896

TO PURCHASE INDIVIDUAL PARTS ON THIS PAGE PLEASE SPECIFY THAT THEY ARE FOR A KE-FCWP WATER PUMP



Hydraulic, Mechanical, Drivetrain And Electro-hydraulic
Troubleshooting, Testing, Repair And Sales

www.ketechinc.com

Ph. 618-932-2245 Fax 618-937-3200

K&E TECHNICAL, INC.
1432 Highway 37 S.
P.O. Box 465
West Frankfort, IL 62896